

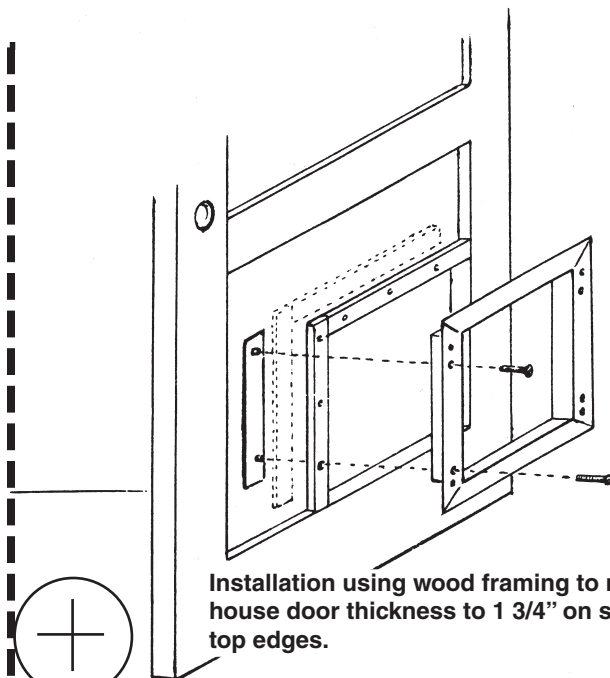
TOP OF FRAME



## INSTALLATION INSTRUCTIONS

**YOUR PLEXIDOR MUST BE INSTALLED WITH SPRINGS AT THE TOP, AND IN A TRUE VERTICAL POSITION. OTHERWISE IT WILL NOT WORK PROPERLY. PLEASE CHECK THIS WITH A SQUARE OR PLUMB LINE.**

1. See **Owner's Manual** for correct positioning of pet door, and notes on different types of installations.
2. **Tape template** securely to the **INSIDE** of the house door.
3. **Using a center punch or nail and hammer** make a firm indent through the template into the door at the center of the seven holes, then remove template.
4. **Using a 5/8" dia. drill**, make the holes, drilling right through the door.
5. **With a felt tip pen and rule**, mark out the thick sawing lines as on template.
6. **Using a jigsaw**, cut along sawing lines, then square cut corners with a rasp or chisel.
7. **Place pet door in position with spring at top.** Hold pet door in place and insert the four screws.
8. **Screw on the four exterior frame pieces** with the angled guttering piece on top.



Installation using wood framing to make up house door thickness to 1 3/4" on side and top edges.

### TOOLS YOU WILL NEED:

Square or Plumb Line  
Hammer  
Rasp or Chisel  
Felt Tip Pen  
Center Punch  
5/8" dia. Drill  
Jigsaw  
Rule

**DOOR TEMPLATE**  
**USE AS A GUIDE ONLY FOR WALLS**  
**PLEASE READ ALL**  
**INSTRUCTIONS**  
**BEFORE CUTTING**

SAWING LINE

TEMPLATE  
SIZE S



BOTTOM EDGE OF FRAME